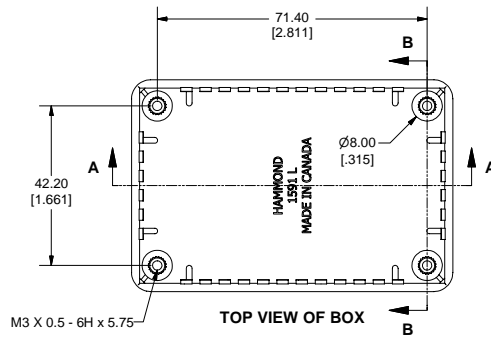


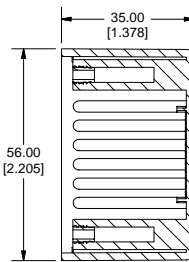
1591L Enclosure



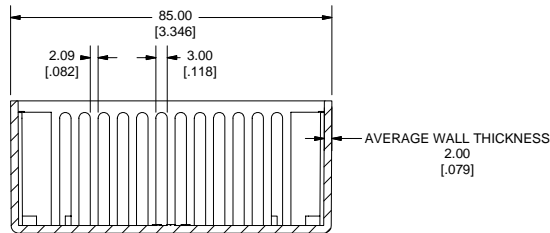
SIDE VIEW OF BOX



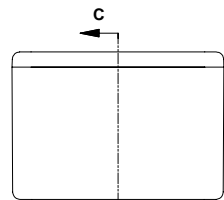
TOP VIEW OF BOX



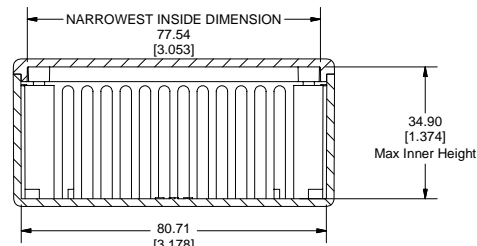
SECTION B-B



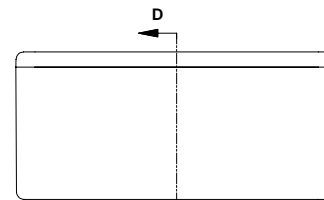
SECTION A-A



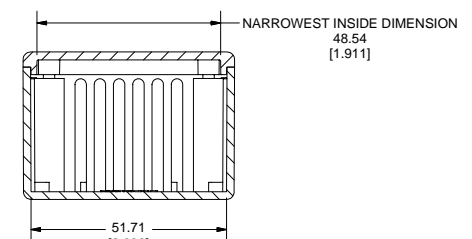
END VIEW OF ASSEMBLY



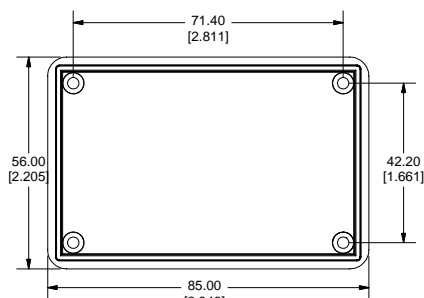
SECTION C-C



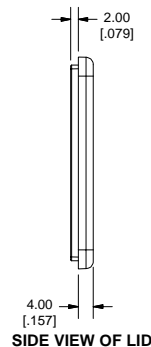
SIDE VIEW OF ASSEMBLY



SECTION D-D



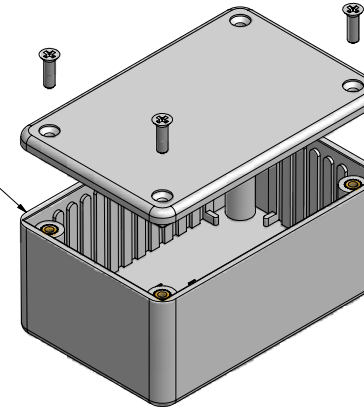
BOTTOM OF LID



SIDE VIEW OF LID

Brass Inserts in FRABS and Polycarb
No inserts in GPABS

LID FASTENERS
M3 x 10 mm Screws for FRABS/Polycarb
#4 x 1/2" Self Tapping for GPABS



EXPLODED VIEW OF ASSEMBLY

Note:

Enclosures can be Factory Modified (Milling, Drilling, Printing etc.)
Solid models of this enclosure available in STEP or IGES Format.
Contact Factory mjm@hammondmfg.com



PART NUMBERS		
1591L Enclosures		
Material	Colour	Part Number
FR ABS UL94 - V0	Black	1591LBK
	Grey	1591LGY
	Black Shielded (Conductive Paint)	1591RLBK
GP ABS	Black	1591LSBK
	Grey	1591LSGY
Translucent Polycarbonate	Ice Blue	1591LTBU
	IR Red	1591LTRD
	Crystal Clear	1591LTCL
Accessories		
	Description	Part Number
Universal Application	PC Board Card Adapters	See Accessories Section
	Flange Kits	See Accessories Section
	Clear Lids - clear, flame retardant polycarbonate - Lid ONLY	1591LC
FR ABS & Polycarbonate	Replacement Screws, Flat head Phillips, Nickel Plated Pkg of 100	1591MS100 1591MS100BK (Black)
GP ABS	Self Tapping Pkg of 100	1591TS100 1591TS100BK (Black)
Required Torque on Fasteners (no lubrication)		
	M3 - 0.5 x 10mm Screws	30-40 cN*m
	#4 x 0.5 Screws	30-40 cN*m